



## Multi-function Mini Motorcycle GPS Tracker MV710N

MV710N is a cost-effective 2G vehicle tracker which is small in size but excellent in performance. Its functions include real-time tracking, historical track playback, speed alarm, remote fuel cut, ignition alarm, electronic fence alarm, vibration alarm, power failure alarm, door open alarm, and new anti-jamming function. MV710N can be widely used in private car security, fleet management, financial leasing and other industries.

1.11oz(31.6g)



75(L)\*26(w)\*12mm(H)

-20°C - 75°C



Built-in 3.7V

140mAh Polymer Battery

- 2G GSM
- Historical Route Playback
- Remotely Cut Off/Resume Fuel
- Door Open Alarm
- Vibration Alarm
- Battery low voltage Alarm
- Power Disconnect Alarm
- Real-time Tracking
- GPS+BDS+GLONASS+LBS
- 9-95V Wide Working Voltage
- Overspeed Alarm
- Geo-fence
- Anti Jammer
- Ignition On/OFF Alarm

### REGION

Worldwide

### OPERATION BANDS

2G GSM/GPRS: 850/900/1800/1900MHz

### POSITION ACCURACY

GNSS Accuracy: < 10 meters

### CERTIFICATES

CE, RoHS

## Applications

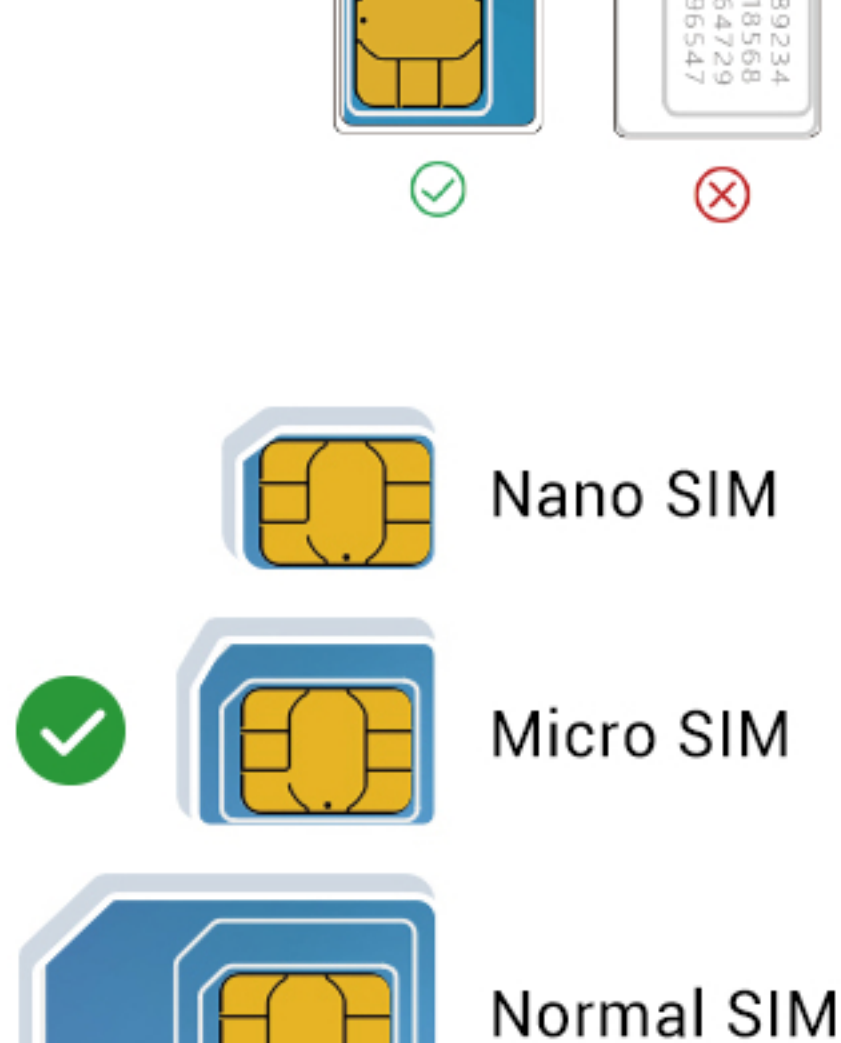


## SIM card installation

1



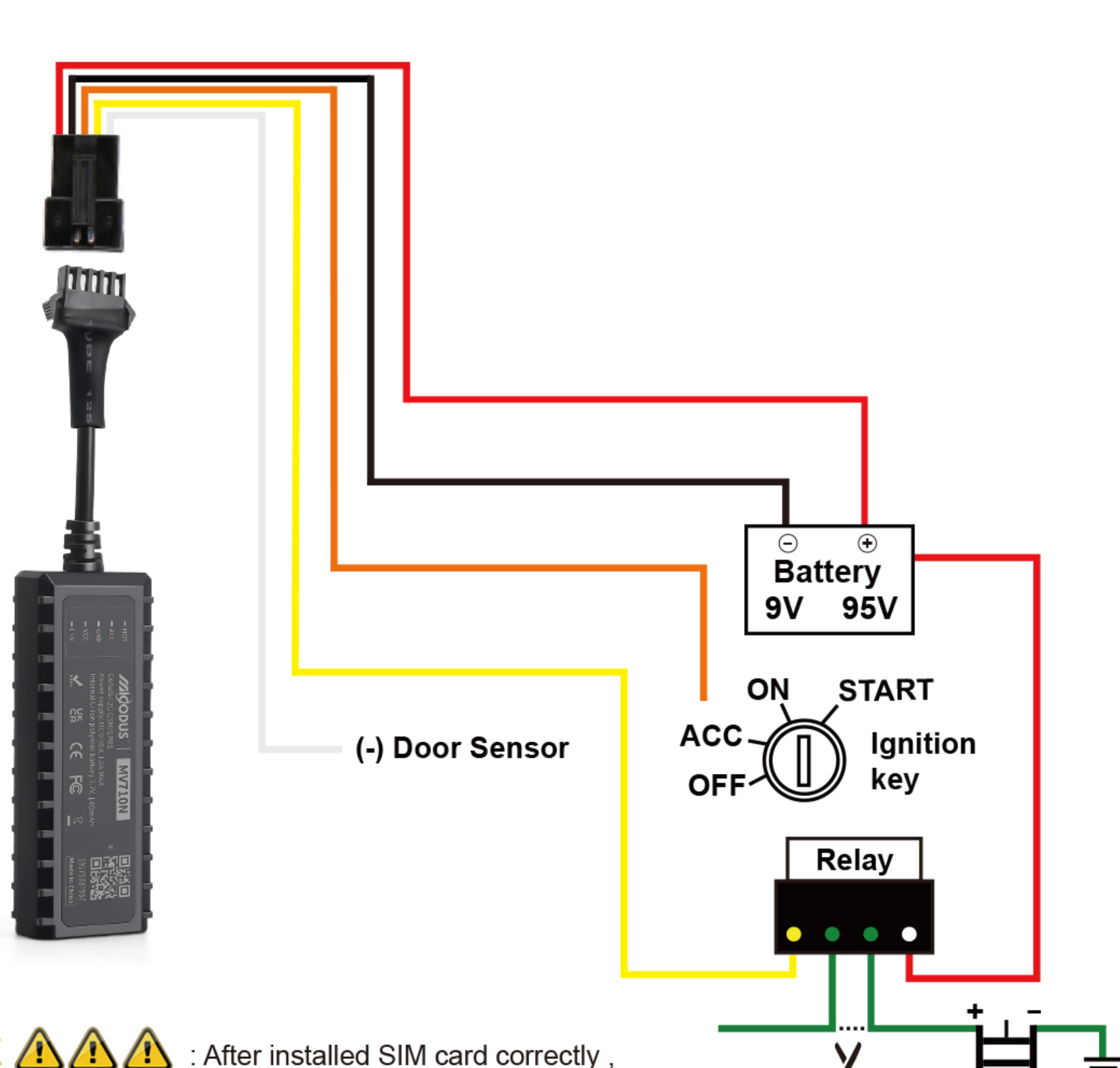
2



### TIPS:

- Please remove the PIN code;
- Please enable the internet DATA traffic, Caller ID and SMS service of the SIM;
- Please ensure enough balance left for SIM card monthly fee;
- Please contact us with SIM operator if the device isn't online automatically.

## Wiring



**NOTE** ⚠️⚠️⚠️ : After installed SIM card correctly , it is very important to connect the tracker with external power no less than 12V for power supply before operation!

## Product Specification

Device Information	Model	MV710N
	Weight	31.6g
	Dimensions	75mm(L)*26mm(W)*12mm(H)
	Battery	Built-in 140 mAh 3.7V polymer battery
Working Parameters	Working Voltage	9-95V DC
	Working Current	12V/average 35mA
	Sleep Current	12V/average 10mA
	Working Temperature	-20°C - 75°C
Cellular Specifications	Working Humidity	10%-85% RH non-condensing
	SIM Card	Micro SIM
	Cellular Antenna	Built-in, FPC
GNSS Specifications	Working Frequency	GSM/2G : 850/900/1800/1900MHz
	GNSS	GPS+BDS+GLONASS+LBS
	GPS Frequency	L1: 1575.42±1.023MHz
	BDS Frequency	B1:1561.098±2.046MHz
	Sensitivity	-162 dBm
	Satellite Channels	32
	Hot/Cold Start	<1s, <32s @ Open Sky
	Positioning Antenna	Built in ceramic dielectric antenna, 18*18*4mm
External Interface	Accuracy	<10m (1σ)
	ACC Detection	1
	Cut Off Fuel/Power	Standard
	Open door Alarm	1